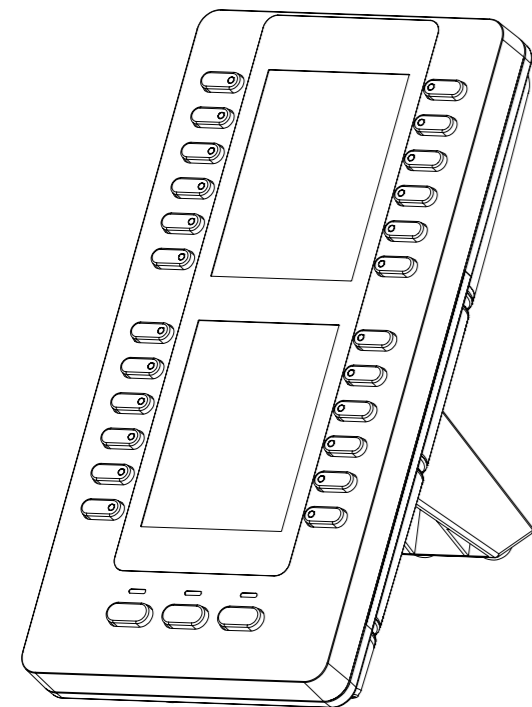


## 快速安装指南

P2EXP

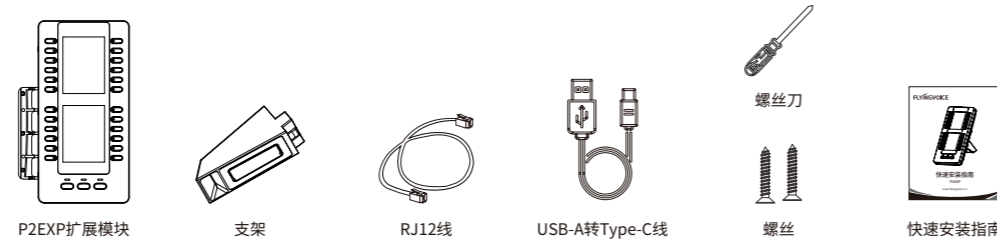
www.flyingvoice.cn



初次设置请仔细阅读安装指南，并按相应步骤进行配置。如需更换网络环境或账号，可修改相应配置。每次配置修改后必须保存、重启方可生效。更多使用方法，请前往我司官方网站（www.flyingvoice.cn）下载相应产品的用户手册。

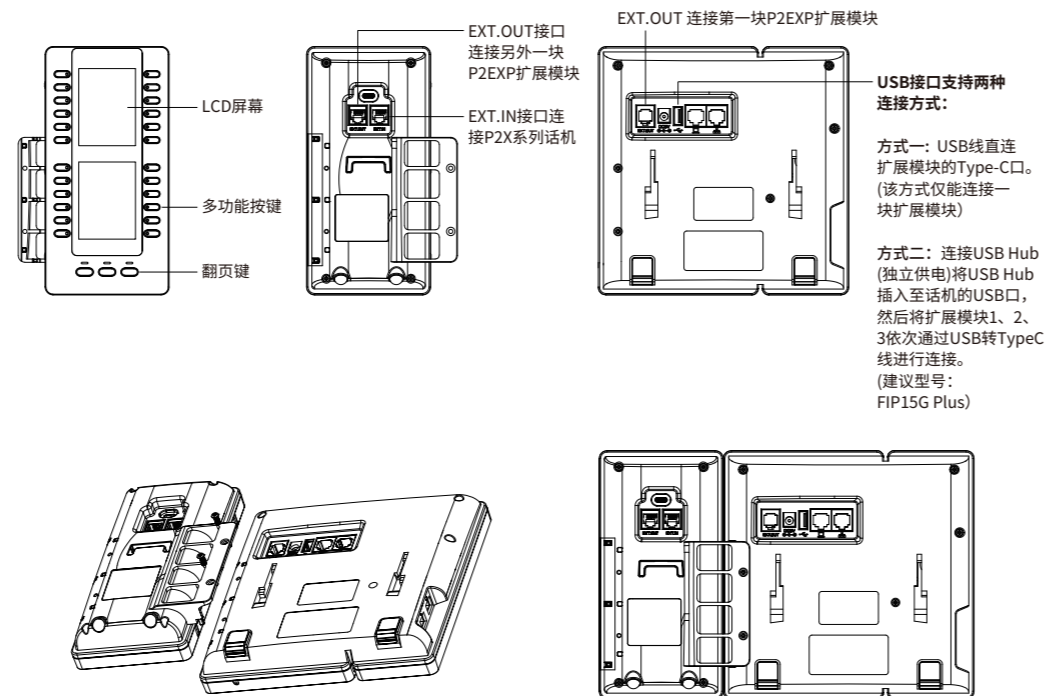
### 1 检验包装

请检查您购买的产品是否包含下面组成部件，若缺少请与您的经销商联系。



### 2 硬件介绍

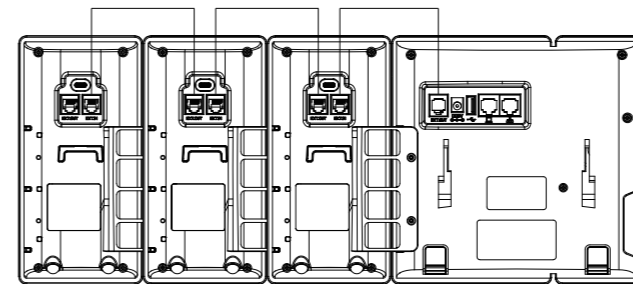
请参照下列图示组装话机：



### 3 连接RJ12/USB-typeC数据线

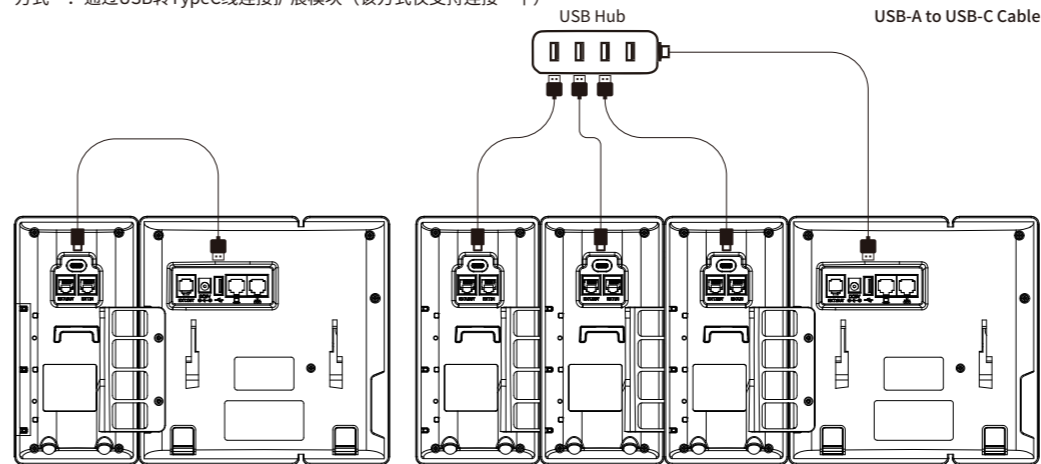
#### 1、通过RJ12线进行连接

用RJ12数据线连接 P2X IP 电话的 EXT.OUT接口和第一个模块的EXT.IN接口。如果要连接另一个模块，请使用 RJ12数据线连接第一个模块的 EXT.OUT和第二个模块的EXT.IN。



#### 2、通过USB接口进行连接

方式一：通过USB转TypeC线连接扩展模块（该方式仅支持连接一个）



#### 4 基础设置

P2EXP 在三个屏幕页面中支持 72 个 DSS 键。每页显示 24 个 DSS 键。您可以按翻页键切换到相应的页面并使用您想要的 DSS 键。您可以通过话机界面为 DSS 键分配功能。按住P2EXP所需的DSS键约3秒，话机液晶屏会提示该键的设置。以下章节为您提供通过网页界面将一些常用功能分配给 DSS 键的详细说明。

#### 速拨

您可以通过按快速拨号键来快速拨打常用的号码。

1. 点击**电话->扩展键**。
2. 选择所需的扩展键，在类型中选择**快速拨号**。
3. 选择您想要使用拨出的**账号**。
4. 在**值**中输入想要直接拨出的速拨号码，（可选）填写**标签**。
5. 点击保存并应用。

#### BLF

通过BLF键可以监控预定义号码的状态。您还可以接听被监听号码的来电。

1. 点击**电话->扩展键**。
2. 选择所需的扩展键，在类型中选择“BLF”。
3. 选择你想要用于监听的账号。
4. 在**值**中输入想要监听的BLF号码，（可选）填写**标签**。
5. 在分机中输入指定的截答码。
5. 点击保存并应用。

#### 账号

您可以将扩展键设置为账号，可便于使用该线路进行拨号呼叫。

1. 点击**电话->扩展键**。
2. 选择所需的扩展键，在类型中选择账号，（可选）填写**标签**。
3. 点击保存并应用。

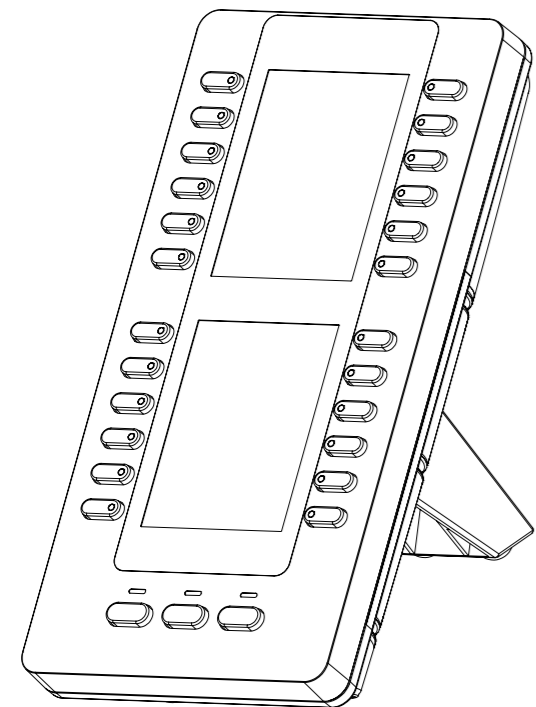
#### 对讲机

您可以将扩展键设置为对讲，可便于办公环境中更快的通知接线员或秘书。

1. 点击**电话->扩展键**。
2. 选择所需的扩展键，在类型中选择对讲机。
3. 选择您想要使用拨出的**账号**。
4. 在**值**中输入想要对讲的对方号码，（可选）填写**标签**。
5. 点击保存并应用。

### 5 恢复出厂设置

- 第一步 登录连接的主机网页，进入**话机->扩展键**，选择需要清空的扩展板页面。
- 第二步 点击 恢复出厂设置，即可将当前扩展板页面的所有设置清空。若要将其他页面清除，重复此步骤。



## Quick Installation Guide

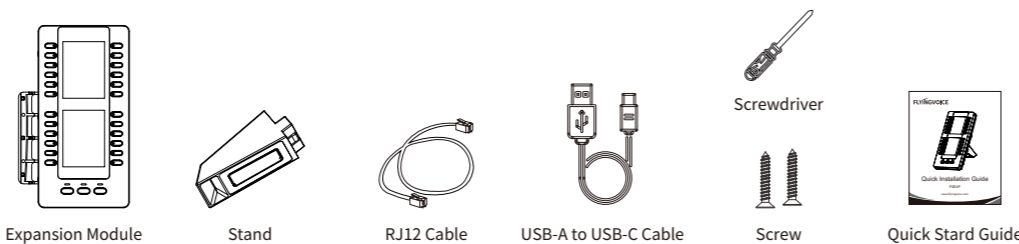
P2EXP

www.flyingvoice.com

If you are installing the device for the first time, please read this manual in advance and configure it step by step. Reboot the device once you finish the configuration is required, including change the network environments, account number and so on. If you need more info, please go to our website ([www.flyingvoice.com](http://www.flyingvoice.com)) and download the user manual.

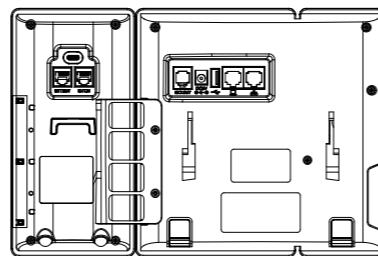
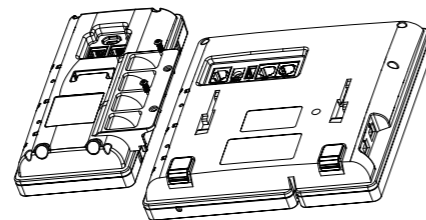
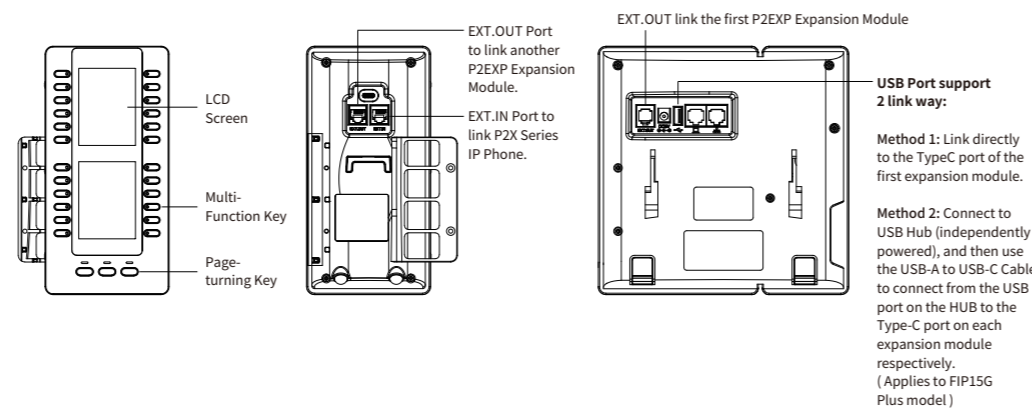
### 1 Packaging List

The following items are included in your package. If you find anything missing, contact your system



### 2 Assembling the Phone

Refer to the following illustration to assemble the handset:

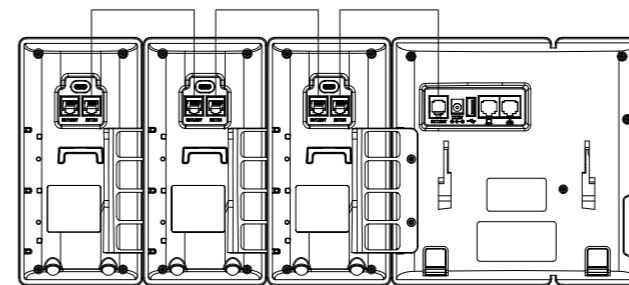


### 3 Connect RJ12/USB-typeC Cable

#### 1. Connection P2EXP via RJ12 cable

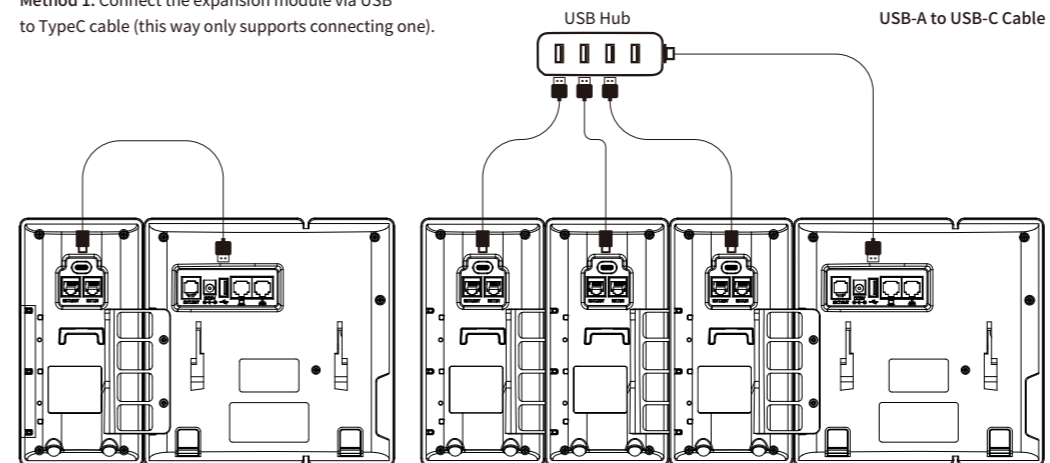
Connect the EXT.OUT port of the P2X IP phone to the EXT.IN port of the first P2EXP module using the RJ12 cable.

To connect another module, use the RJ12 cable to connect the EXT.OUT port of the first module to the EXT.IN port of the second module.



#### 2. Connecting P2EXP via USB Port

Method 1: Connect the expansion module via USB to TypeC cable (this way only supports connecting one).



### 4 Basic Settings

The P2EXP supports 72 DSS keys in three screen pages. Each page displays 24 DSS keys. You can press **Page-turning key** to switch to the corresponding page and use your desired DSS key.

You can assign a feature to a DSS key via phone user interface. Press the desired DSS key of P2EXP for about 3 seconds, the phone LCD screen will prompt the setting of this key. The following sections provide you with detailed instruction of assigning some frequently used features to the DSS keys via web user interface.

### Speed Dial

You can speed up dialing the frequently used numbers by pressing the speed dial key.

1. Navigate to **Phone->Ext Key**.
2. Select the desired Ext key, select **SpeedDial** from the **Type**.
3. Select the desired **Line** from the **Line**.
4. Enter the desired number you want to dial out directly in the **Value** field, (optional) enter the **Label**.
5. Click **Save & Apply**.

### BLF

The BLF key allows you to monitor the status of the pre-defined extension. You can also pick up incoming calls of the monitored extension.

1. Navigate to **Phone->Ext Key**.
2. Select the desired Ext key, select **BLF** from the **Type**.
3. Enter the phone number or extension you want to monitor in the **Value** field, enter the **Label**.
4. Enter the directed call pickup code in the **Extension** field.
5. Click **Save & Apply**.

### Line

You can configure a DSS key as the line key.

1. Navigate to **Phone->Ext Key**.
2. Select the desired Ext key, select the desired **Line** from the **Type**.
3. (Optional) enter the **Label**.
4. Click **Save & Apply**.

### Intercom

You can connect to the operator or the secretary more quickly by pressing the intercom key in an office environment .

1. Navigate to **Phone->Ext Key**.
2. Select the desired Ext key, select **Intercom** from the **Type**.
3. Select the desired line from the **Line**.
4. Enter the remote extension number in the **Value** field, (Optional) enter the **Label**.
5. Click **Save & Apply**.

### 5 Factory Default

- Step 1** Log in to the Web GUI of IP Phone, navigate to **Phone->Ext Key**, and select the extension module page that needs to be cleared.
- Step 2** Click **Restore Factory Settings** to clear all settings of the current expansion board page. To clear other pages, repeat this step.